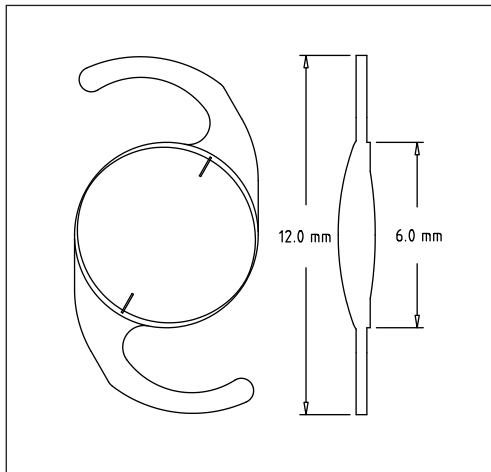


One-Piece Posterior Chamber Lens
With Aspherical Surface
For Capsular Bag Fixation



LENTIS® Tplus

LS-312 T1/ T2/ T3/ T4/ T5/ T6

(standard)

Type	One-piece acrylic IOL
Optic size	6.0 mm
Overall length	12.0 mm
Haptic angulation	0°
Optic	Biconvex Aspherical surface - posterior Monotoric - anterior
Central thickness	1.08 mm (+22.0D / cylinder +3.0D)
Design	Optic and haptics with 360 degrees square edge
Material	HydroSmart copolymer consisting of acrylates with hydrophobic surface, UV absorbing
Sterilization	Steam autoclaved
Available diopters	Main value: +10.0D to +30.0D (0.5D) Zylinderwert: T1 +1,50 dpt T4 +3,75 dpt T2 +2,25 dpt T5 +4,50 dpt T3 +3,00 dpt T6 +5,25 dpt
Refractive index	1.46
Estimated A-factor (acoustic)	118.0
Estimated A-factor (optic)	118.2 (SRK/T)
Estimated anterior chamber depth	4.97 mm
Recommended incision size	2.6 mm
Recommended injector (reusable)	Injector: Viscoject-1-hand: LI604205 Viscoject-2-hand: LI604215 Cartridge: Viscoject 2.2 Cartridge-Set: LP604240M
Recommended injector-sets (disposable)	Set consisting of: Viscoject-Injector + Viscoglide 2.2 Cartridge: LP604340

CE 1275

09/2010