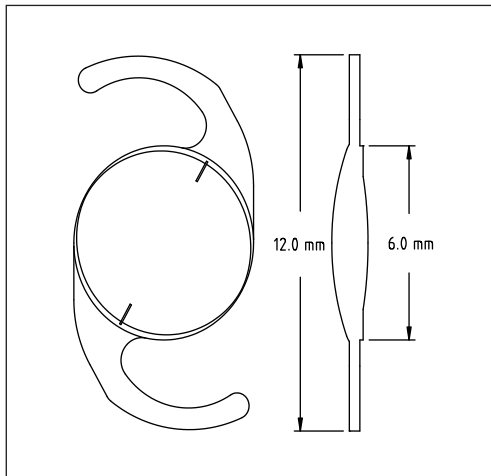


One-Piece Posterior Chamber Lens
With Aspherical Surface
For Capsular Bag Fixation



LENTIS[®] Tplus
LU-312 T
(customized)

Type	One-piece acrylic IOL
Optic size	6.0 mm
Overall length	12.0 mm
Haptic angulation	0°
Optic	Biconvex Aspherical surface - posterior Monotoric - anterior
Central thickness	1.08 mm (+ 22.0D / cylinder +3.0D)
Design	Optic and Haptic with 360 degrees square edge
Material	HydroSmart copolymer consisting of acrylates, with hydrophobic surface, UV absorbing
Sterilization	Steam autoclaved
Available diopters	Main value: $\pm 0.0D$ to +30.0D Cylinder value: +0.25D to +12.0D
Refractive index	1.46
Estimated A-factor (accustic)	118.0
Estimated A-factor (optic)	118.2 (SRK/T)
Recommended anterior chamber depth	4.97 mm
Recommended incision size	2.6 mm
Recommended Injectorsystem (reusable)	Injector: Viscoject-1-hand: LI604205 Viscoject-2-hand: LI604215 Cartridge: Viscoject 2.2 Cartridge-Set: LP604240M
Recommended Injektor-sets (disposable)	Set consisting of: Viscoject-Injektor + Viscoglide 2.2 Cartridge: LP604340

CE 1275

06/2009